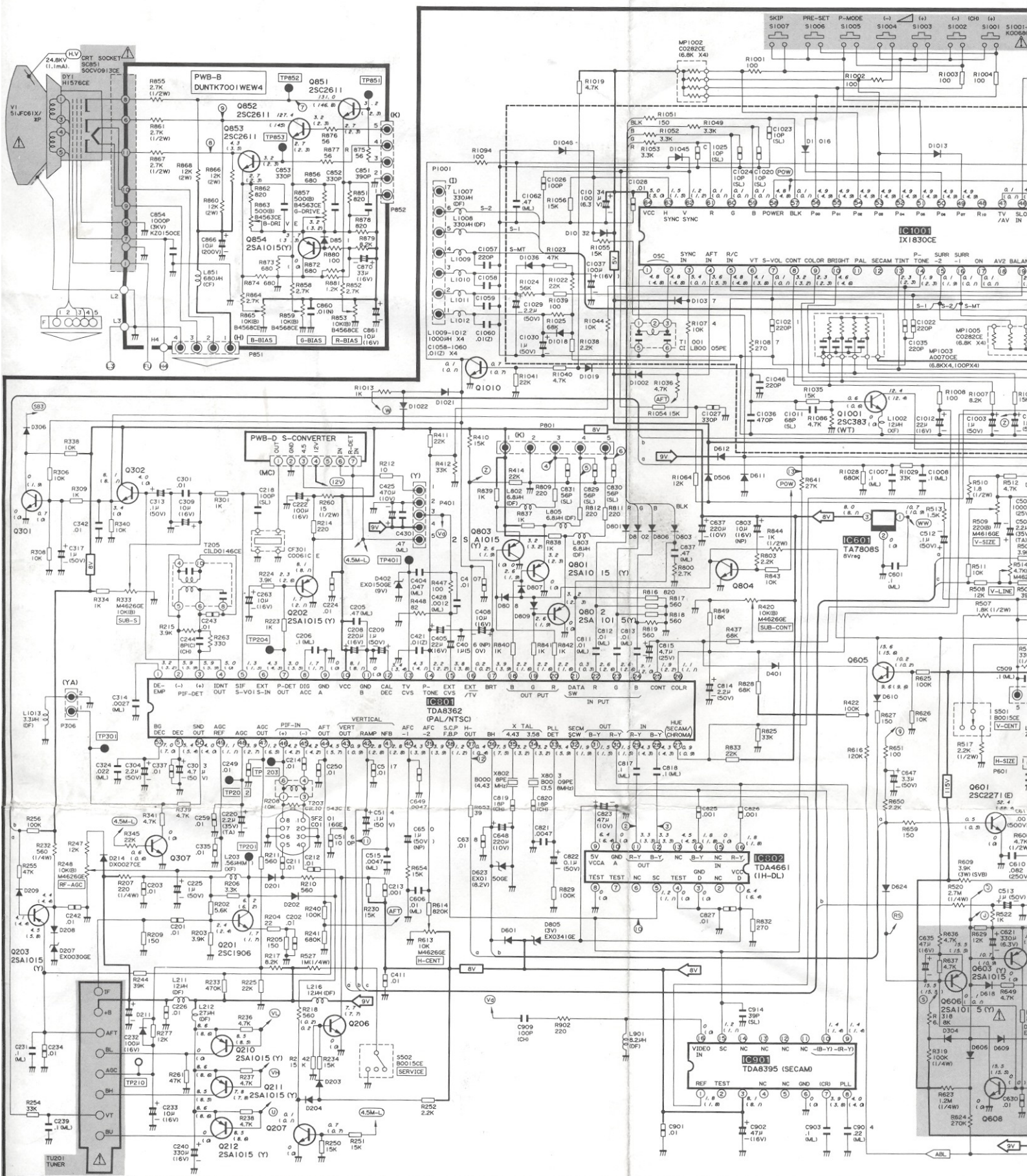
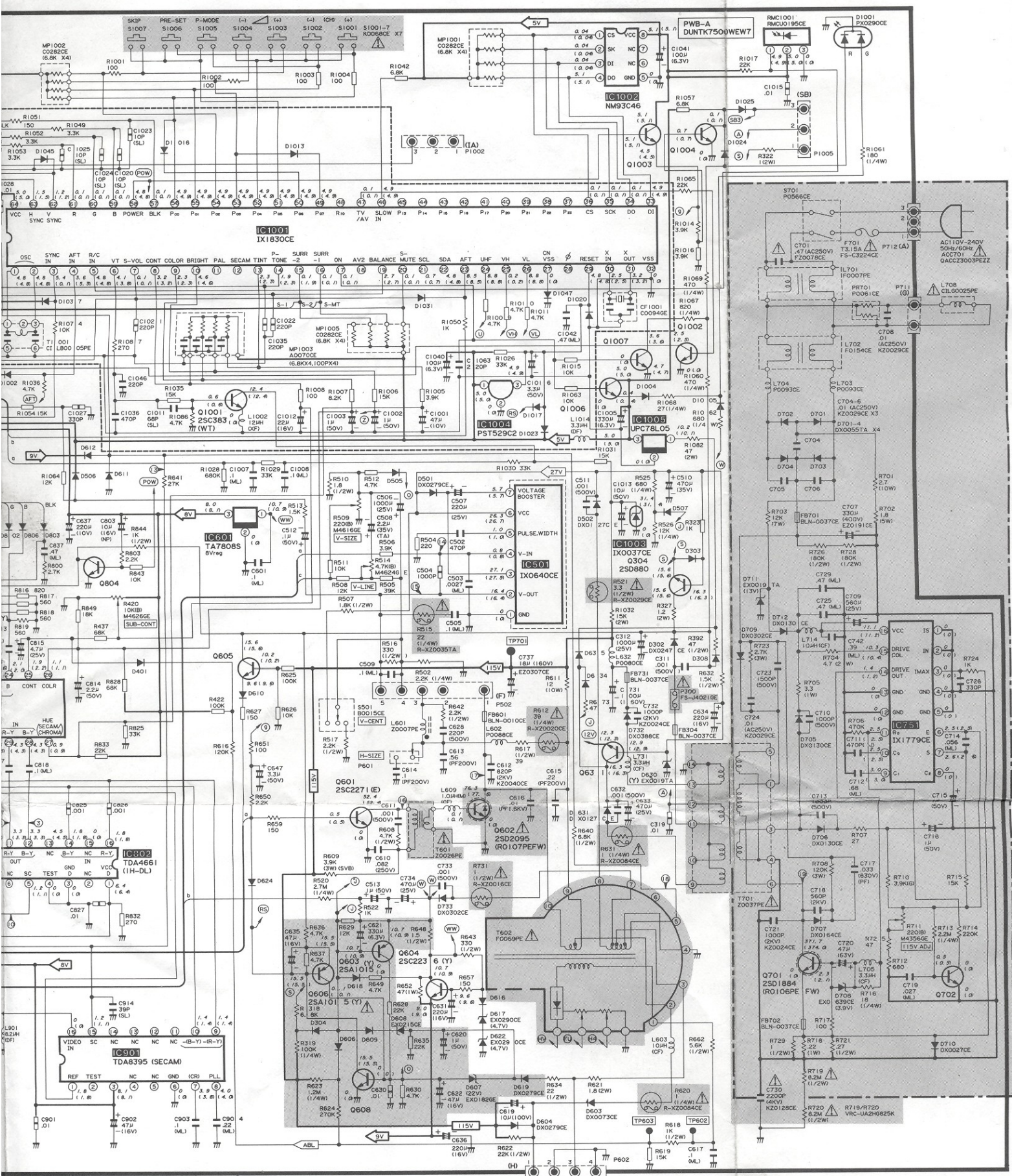
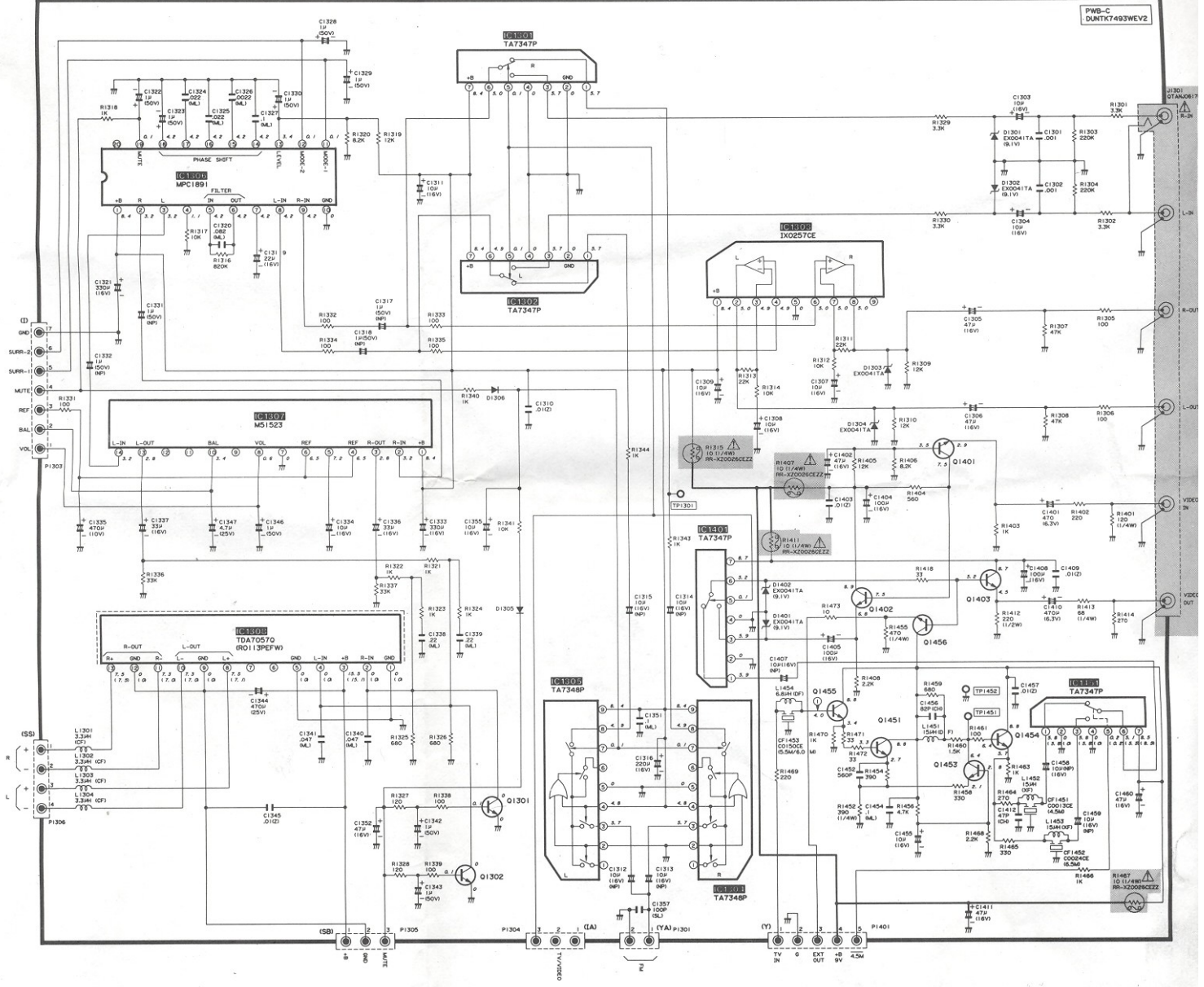


SHARP COLOUR TELEVISION MODEL C

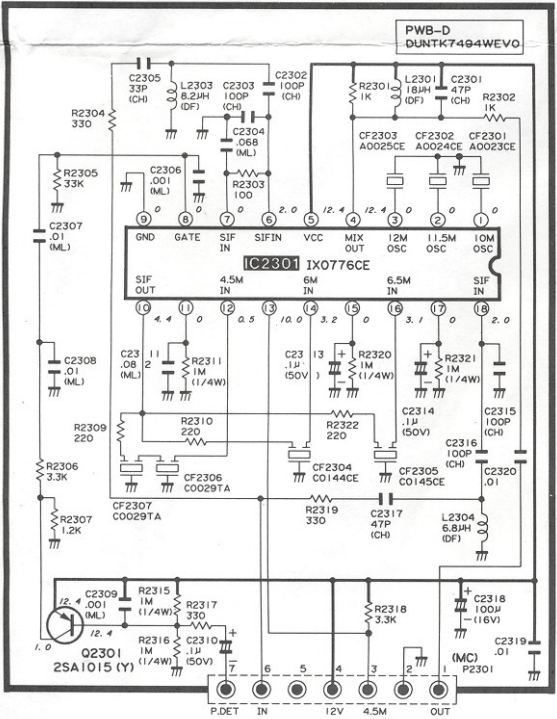


TELEVISION MODEL CV-2191 SCHEMATIC DIAGRAM

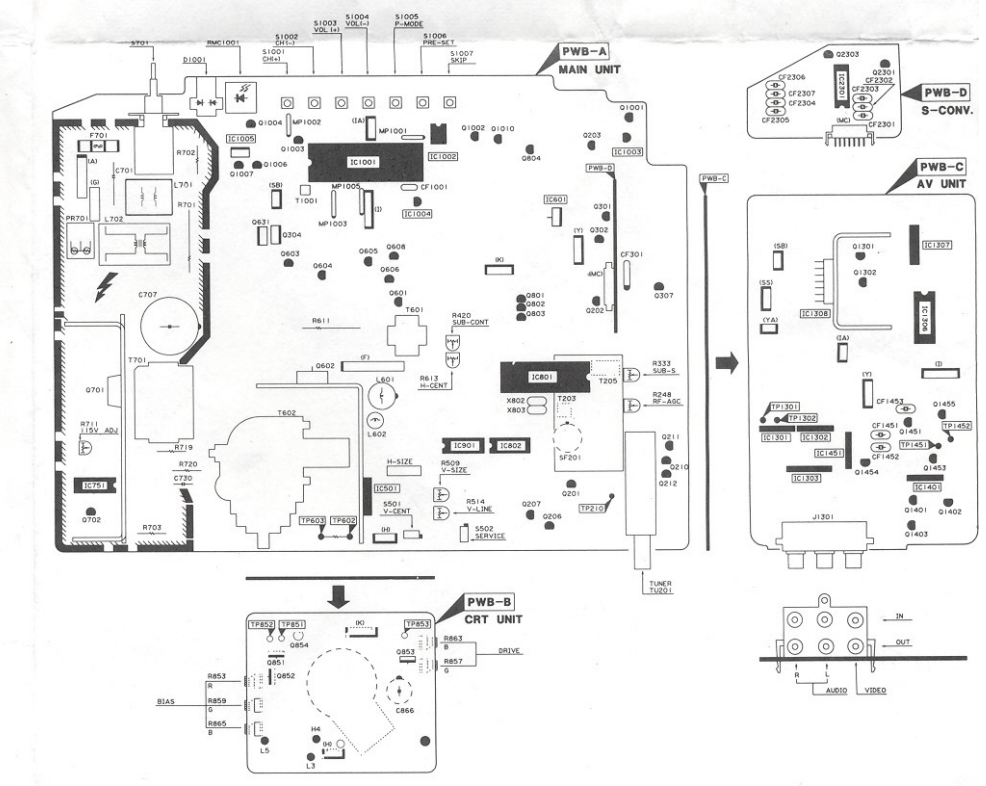




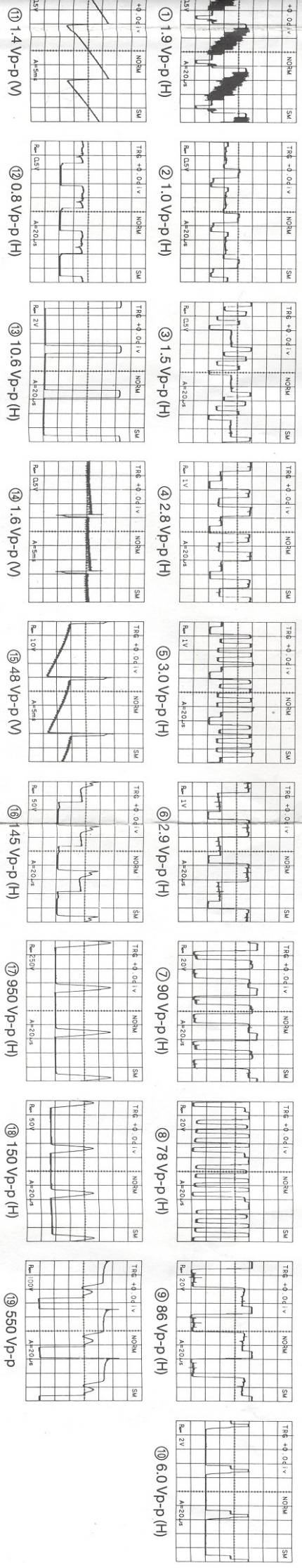
PWB-D
SIF CONVERTER



CHASSIS LAYOUT



WAVE FORMS



CAUTION: This circuit diagram is original one. Therefore there may be a slight difference from yours.

This document was created with Win2PDF available at <http://www.daneprairie.com>.
The unregistered version of Win2PDF is for evaluation or non-commercial use only.